

OPTIMA SCALE

OPK WEIGHING SCALE USER'S MANUAL

(OPK-S, OPK-P Series)



optimascale.com

TABLE OF CONTENTS

Safety Precautions.....	1
Preparations and Set Up.....	1
Features.....	2
Operating Instructions.....	2
Calibration.....	3
Specifications.....	4
Dimensions.....	4
Contact Us.....	4

SAFETY PRECAUTIONS

- To avoid damaging the battery do not keep charger plugged in once battery is fully charged
- Avoid installing the balance in direct sunlight. This may cause poor performance or malfunctions
- Do not mix batteries, replace all 4 batteries at the same time
- If the balanced will not be used for a long period of time, remove all batteries from the battery compartment to avoid leakage, which may cause damage to the instrument
- Avoid overloading or dropping material onto the platform as that may damage the balance
- Place the weight on the center of the pan for accurate weighing.
- Make sure the weight is not over the Max capacity as it could damage the load cell inside
- Do not spill liquids on the balance as it is not water-resistant. Liquids may damage the case and any liquid inside may cause damage to the electronics
- Material that has a static electric charge could influence the weighing. Discharge the static electricity of the samples, if possible. Another solution to the problem is to wipe both sides of the pan and the top of the case with an anti-static agent

PREPARATIONS & SET UP


- Place your balance on a stable and level table. Then level your balance by adjusting the feet to center the bubble in the spirit level
- Plug into a wall outlet to avoid interference with other wirings
- Turn on the balance while there is no load on the pan
- Allow scale to warm up for 1 minute before use
- Calibration may be required before weighing when the balance is initially installed or moved from a location

FEATURES

- Auto Calibration
- Large LCD Display (6 digits, 7/8 in height)
- Low battery indication
- Auto zero tracking
- AC adapter or battery powering options
- Sturdy plastic construction with options of plastic or stainless steel pan
- Level bubble that makes it a high precision balance
- Quick and easy weighing in the lab or in the field
- Splash proof keyboard and display
- Multiple weighing units: g, oz, ct
- 1 year limited warranty

OPERATING INSTRUCTIONS

Powering On

- Turn on the power by pressing the  button located next to the scale's screen. Once on, the scale will display then enter the weighing mode and display "0"



Zeroing

- If the screen reads any number other than 0 before weighing, press the [TARE] key to set to 0

Unit Selection

- To switch between measuring units (oz, g, ct.) press the [MENU] key, the default unit is gram

Tare Function

- Put a container you wish to use on the pan, then press the [TARE] key and the display will show the tare symbol and reset back to 0
- Add your sample to the container to weigh without the weight of the container
- To exit Tare mode simply press either [TARE] or [ZERO] key



Note: If you remove your container the scale will show the minus weight of the container

CALIBRATION

When to calibrate

- When the scale is initially installed
- When the scale's location has changed
- After the scale has not been used for a long period of time
- If ambient temperatures have changed greatly

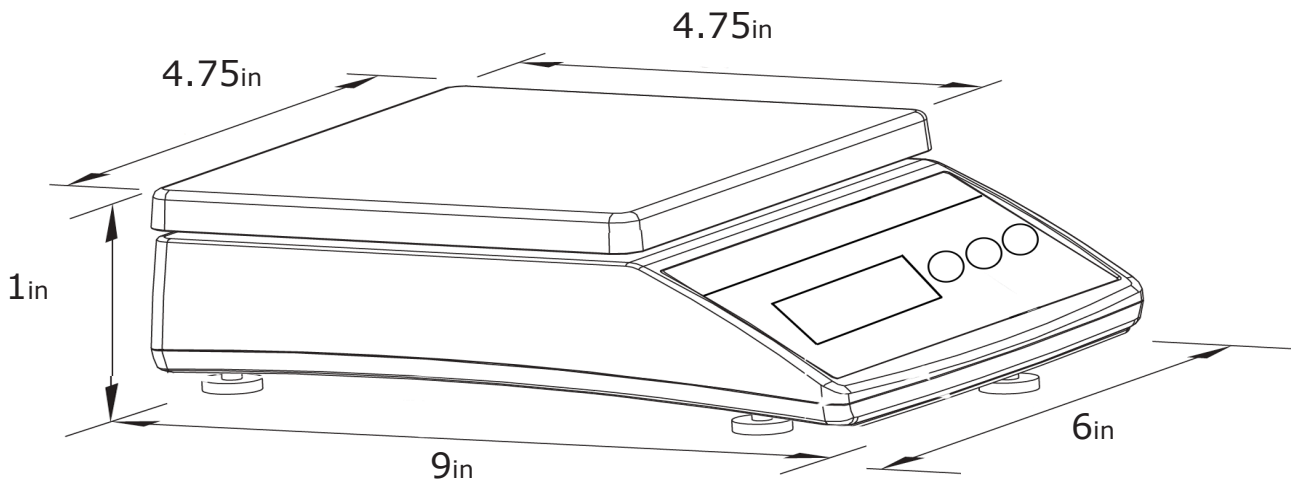
How to calibrate

- Press the  to turn the scale on
- Allow scale to warm up for 1 minute
- When there is no weight on the pan hold [MENU] until the display reads "CAL"
- Press [MENU] key again and the display should flash "CAL" meaning you have entered the calibration mode
- It will then display the exact weight needed to calibrate (ex. 250g)
- Place exactly the required weight on the scale
- When the display reads "PASS" it means the calibration is finished
- If the calibration was not stable the display will show "FAIL" and shut off automatically
- Press  to turn off the scale, and again to power it back on
- Place your calibration weight on the scale. If the scale reads the same value the calibration has succeeded. If not please repeat calibration process

SPECIFICATIONS

Pan size	OPK-P Plastic Pan: 5.75 x 5.75 in OPK-S Metal Pan: 4.75 x 4.75 in
N.W/G.W	480/680g
Package	Box 10.5 x 17.5 x 3.5 (in ³)
Temperature	0°- 40°C (32-104°F)
Power Supply	4 - AA dry batteries or AC adapter 12V/100mA (optional)

DIMENSIONS



CONTACT US

Please e-mail sales@optimascale.com for any sales related question

Please e-mail support@optimascale.com for any support related questions

Don't forget to visit our website at:

optimascale.com